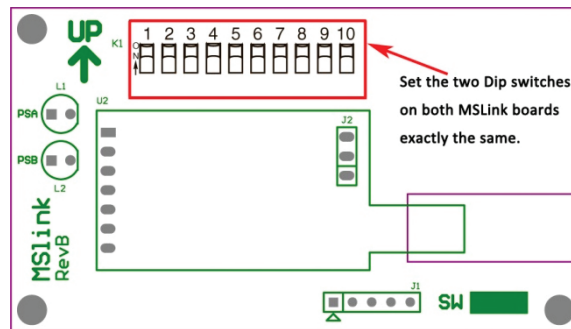
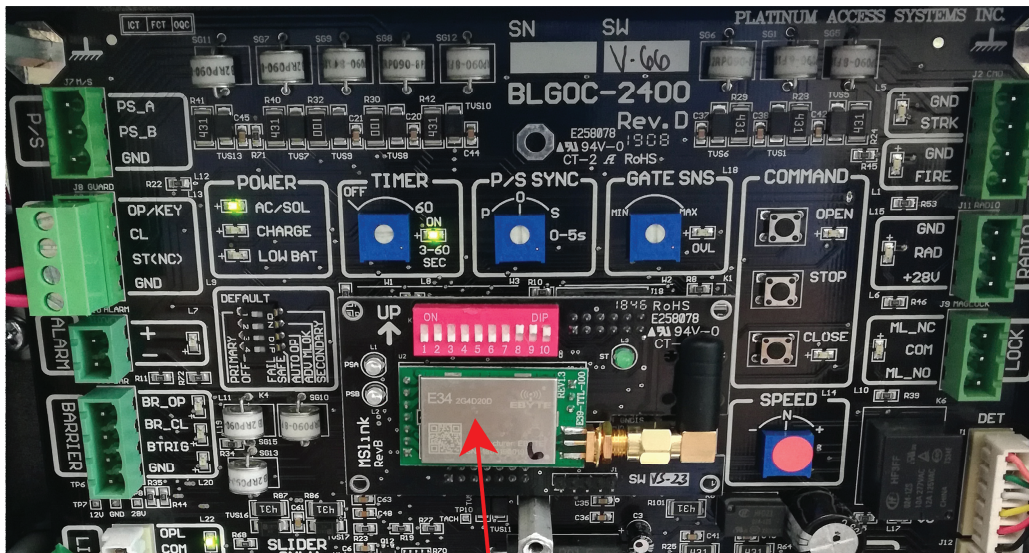


MSLink Wireless Primary/Secondary Communication Module Setup

1. Set both Dip switches on the MSLink boards the same. Default factory setting is 1 & 2 Switches are ON, the other switches are OFF (You can set 3 switches are ON, the others OFF, or 4 switches are ON, the others are OFF, or 5 switches are ON, the others are OFF).



2. Turn off the operator AC power and battery power.
3. Plug in both MSLink modules to two Platinum gate operator BLGOC-2400 main boards.



Plug in the MSLink module to the BLGOC-2400 main board.

4. Set one operator to be Primary, and set the other one to be Secondary.
5. Turn on both gate operator AC power and battery power.
6. Wait for 15 seconds. Press the reset button on the Primary operator. You should hear reset alarm from both operators if both MSLink modules are working.
7. If the operators are not working. Turn OFF the power for both gate operators. Set the Dip switches to other combination. The start from step 4.