



PLATINUM ACCESS SYSTEMS, INC.

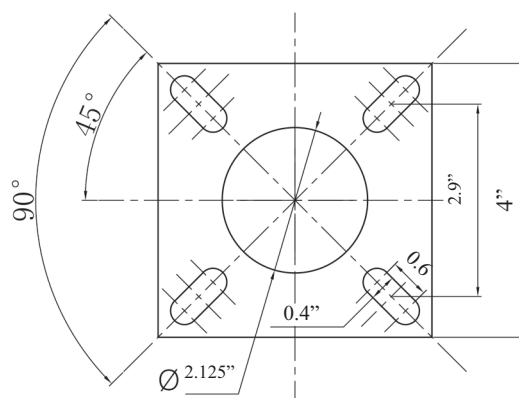
PGN-72 Goose Neck

Description

The PGN-72 is a cost effective in-ground pedestal that use to hold card readers, intercoms, keypads, telephone entry systems and housings. The PGN-72 is washed in a phosphate solution to prevent rusting, then heat dried, coated with an outdoor black powder.

PGN-72 Goose Neck Specifications

Height	72"
Finish	Black Outdoor Powder Coat
Face Plate	4" x 4", 4-Hole Universal Pattern. 1/4" Metal Plate
Base Plate	NA
Tube	Ø 2.38" Outer Diameter. 0.125" wall thickness
Neck	13" Reach (On Vertical Center), 90° Bend Radius
Material	Heavy Gauge Steel
Weight	23.50 lbs.
Box Size	74" x 13" x 5"



Face Plate

