



PLATINUM ACCESS SYSTEMS, INC.

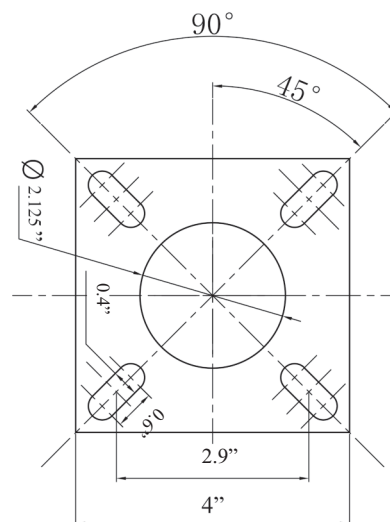
# PGN-42 Goose Neck

## Description

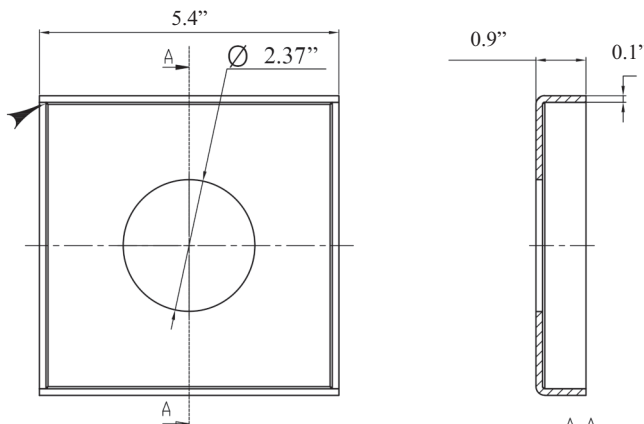
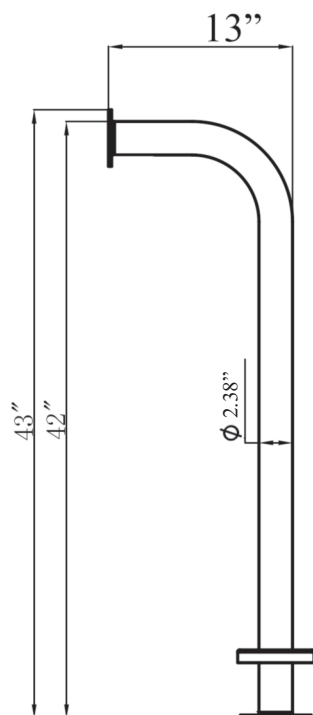
The PGN-42 is a cost effective pad mount pedestal that use to hold card readers, intercoms, keypads, telephone entry systems and housings. The PGN-42 is washed in a phosphate solution to prevent rusting, then heat dried, coated with an outdoor black powder.

## PGN-42 Goose Neck Specifications

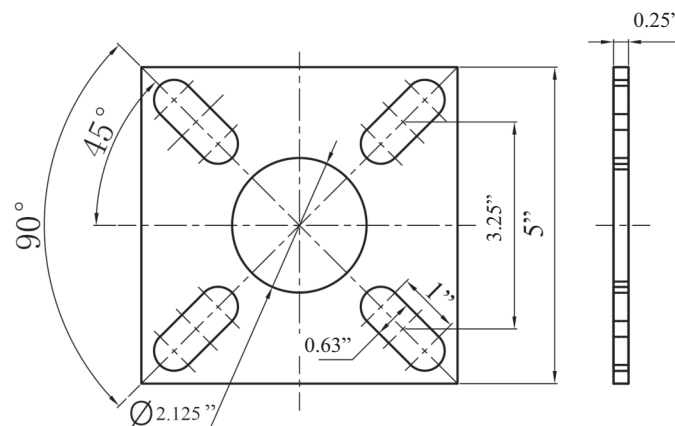
Height	42"
Finish	Black Outdoor Powder Coat
Face Plate	4" x 4", 4-Hole Universal Pattern. 0.25" Metal Plate
Base Plate	5" x 5", 4-Hole Universal Pattern. 0.25" Metal Plate with Cover Plate
Tube	∅ 2-38" Outer Diameter. 0.125" wall thickness
Neck	13" Reach (On Vertical Center), 90° Bend Radius
Material	Heavy Gauge Steel
Weight	17.82 lbs.
Box Size	43.8" x 13.7" x 6.3"



Face Plate



Cove Plate



Base Plate