

PA1030 RF KEYPAD USER MANUAL

Rev. E

Platinum Access Systems Inc.

SPECIFICATIONS AND FEATURES

1. Key Code Range

Primary (for control output 1 - Relay)

5 digit code: 00000-99999

4 digit code: 0000-9999

Memory Capacity: 10,000 (4 digit), 100,000 (5 digit) codes

Secondary (for control output 2 - OUT)

5 digit code: 00000-99999

4 digit code: 0000-9999

Memory Capacity: 10,000 (4 digit), 100,000 (5 digit) codes

2. Keypad

Keys: 0-9, "*" start over, "#" command code

Key entry timeout: 15 sec (uncompleted key code will be ignored in 15 sec idle period.)

3. RF Remote Control

Working with Platinum RF receiver to provide >50ft remote control.

4. Hold Open Code

Resettable 5 digit code to turn on/off hold open operation.

5. Request to Exit Input

A contact input for codeless open activation.

6. Adjustable Control Output Strike Duration

Primary: 0-99s output relay and RF control strike duration.

Secondary: 0-99s output strike duration.

7. Slave Mode

It can be set to slave mode to work with master. All codes entered will be send back to master to verify, Master will send gate open command upon valid key code. 99 slave ID's can be set with onboard rotary switch.

8. Backlit Keypad

Back light of the keys will be turn on automatically when the environmental light is dimmed.

9. Control Output

a. Primary: NO/NC relay output with 10Amp @ 120VAC or 8A @ 30VDC.

b. Secondary: Solid state output with 0.5A sink current.

10. Wide DC Power Supply Input Range

9V – 24VDC 20W Power Supply Input.

11. Battery Backup

Internal rechargeable battery provides >24 hours power backup.

12. Solar Panel Ready

A 12V/20W solar panel can be connected to power the unit and charge the battery for AC power free operation.

INSTALLATION

1. Wring

See Fig.1.

a. Connect 9V/2A AC/DC adaptor, or 9V-24V 20W external DC power to "AC/DC" terminals.

b. Connect 12V/20W solar panel to "SOL" terminals.

c. Connect the internal battery to either "BAT1" or "BAT2" terminal.

d. Connect NC/COM/NO to primary external device under control.

e. Connect OUT /GND to secondary external device under control.

f. Connect "EXIT" to external strike open switch.

g. Connect RS485 cable from master to either of the RS485 terminals.

2. Set the Mode DIP Switch

a. Set 4 or 5 digit length operation by "DIG" side DIP SW.

Note: only 4 digit mode applies to slave configuration.

b. Set master/slave by side “M/S” side DIP SW “M” or “S”.

3. Set the Slave Device ID

Set slave device ID by the 2 rotary decimal SW. set range 00-99

4. Indicator and Mode Switch Locations

See Fig.2.

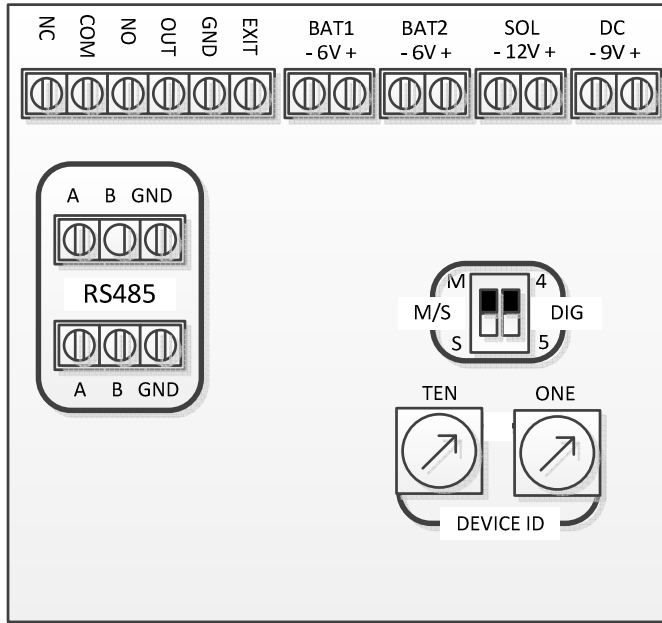


Fig.1

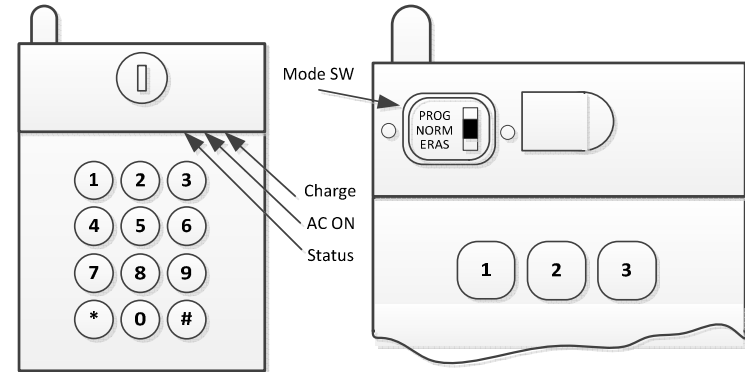


Fig.2

OPERATIONS

1. Normal Mode

Selected by Mode SW (“**NORM**” position), "Red" light flash

- a. To open primary gate, enter 4 or 5 key code.
- b. To open secondary gate, enter #2 + 4 or 5 key code.
- c. To hold open, enter #3xxxxx. xxxxx: 5 digit code (00000-99999)
- d. To release hold open, enter #3xxxxx again.

Status:

- Beeping twice with green light: Success
- Beeping once: Code is not match

2. Program Mode

Selected by Mode SW (“**PRGM**” position), "Yellow" light on.

Program Primary Key Code: Enter 4 or 5 key Code

Program Secondary Key Code: Enter #2 + 4 or 5 key Code

Status:

Beeping twice with green light: Program success

Beeping once with red light: Program fail

Program Command:

a. Control output strike duration (default 1s)

#4xx xx: 00-99s Primary control

#6xx xx: 00-99s Secondary control

b. Hold open code

#3xxxxx xxxxx: 5 digit code (00000-99999)

3. Erase Mode

Selected by Mode SW (“ERAS” position), "Yellow" light flash.

Erase Primary Key Code: Enter 4 or 5 key code

Erase Secondary Key Code: Enter #2 + 4 or 5 key code

#911 Erase all primary codes

#913 Erase hold open code

#914 Erase all secondary codes

Status:

Beeping twice with green light: Erase success

Beeping once with red light: Erase fail

4. Program RF Receiver:

Platinum RF receiver needs to be programmed to receive the RF control code of this unit.

a. Program one key code (Ex. “1234”) on this unit per the steps in section 2.

b. Set the unit back to “NORM” mode.

c. Open RF receiver cover and locate the programming button.

d. Place RF receiver close to this unit. Turn on RF receiver power.

e. Push the programming button in RF receiver.

f. When the programming LED is on in RF receiver, enter the key code (“1234”) on keypad.

g. When the programming is done, the programming LED will go off.

h. Enter the key code (“1234”) again, and check the relay in receiver is activated.

i. If the programming is unsuccessful, repeat step f to step i.

5. EXIT Input

“EXIT” input will activate control output at any time.

6. Slave Mode

Set DIP switch on board to “S” side. In “SLAVE” mode, all key codes will be sent to master to process. Master will send “Open Gate” command to slave upon valid key code. Device ID must be set on the rotary “TEN” and “ONE” switches in multi slave system.

Note: Each slave must be set to different device ID when they are installed within one system.