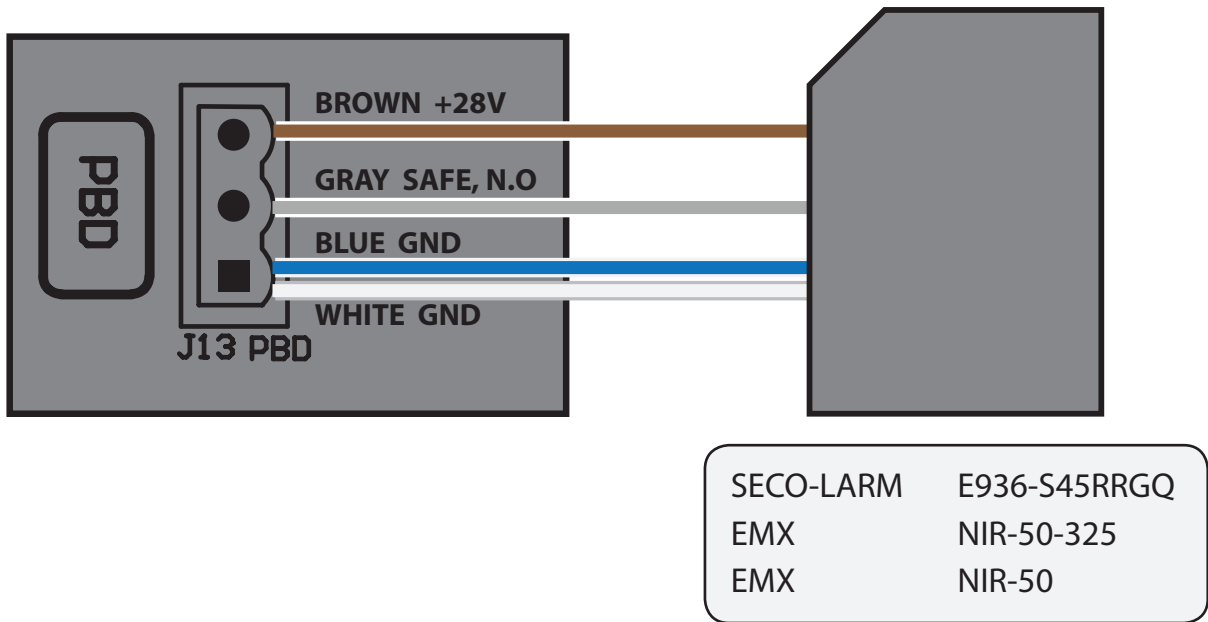
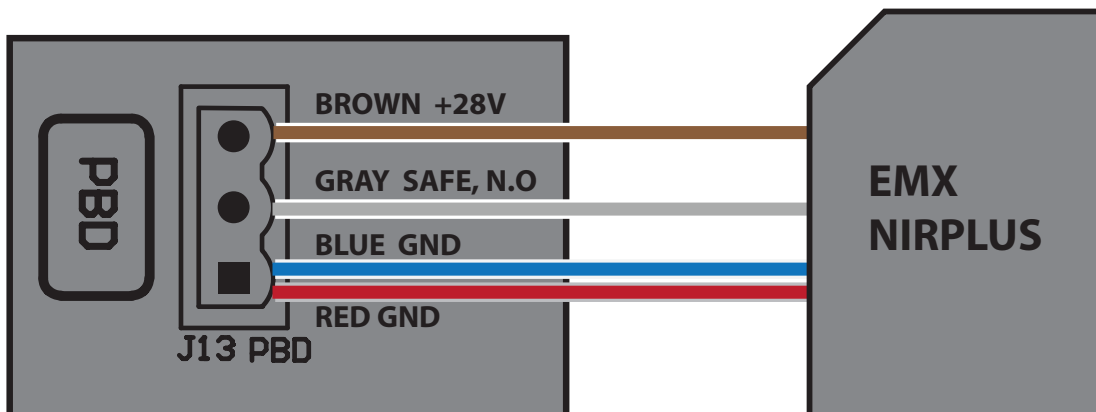


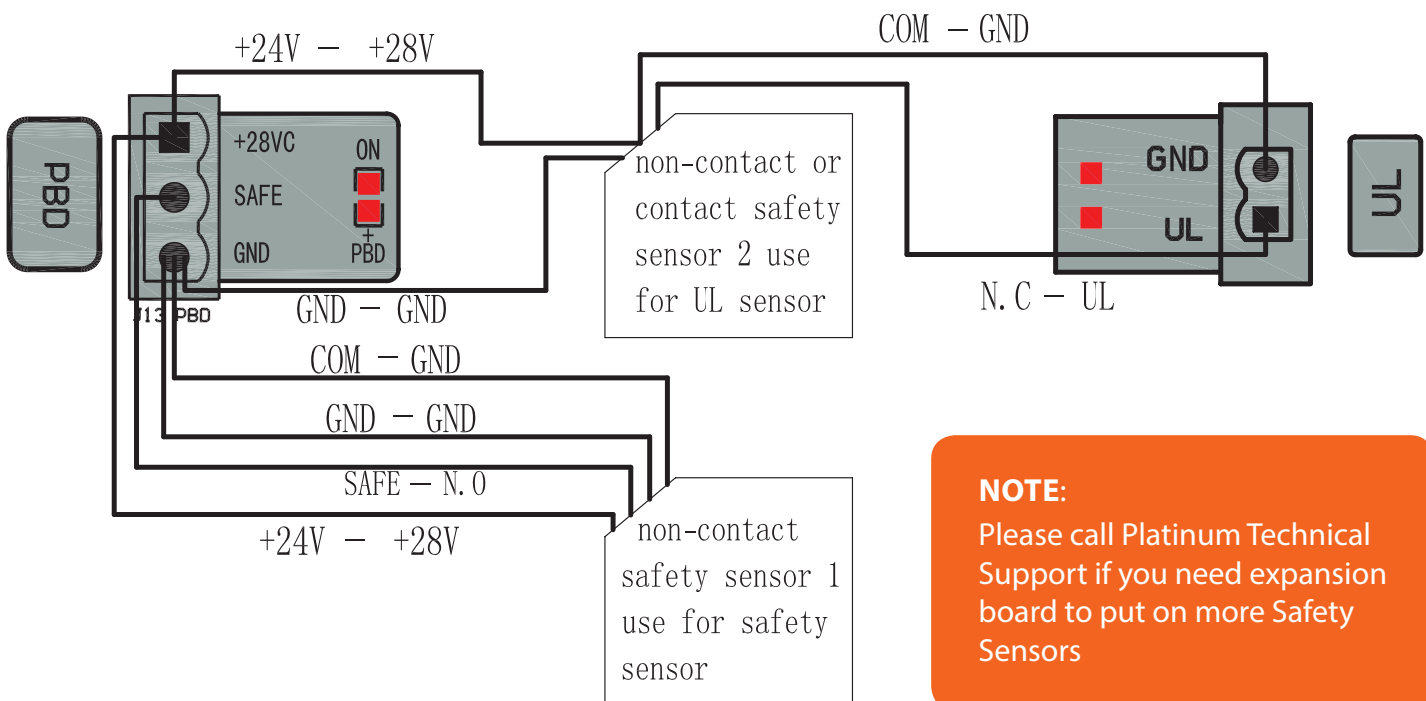
This safety connection is for the following photo eye sensors



EMX Nirplus photo eye connection for safety

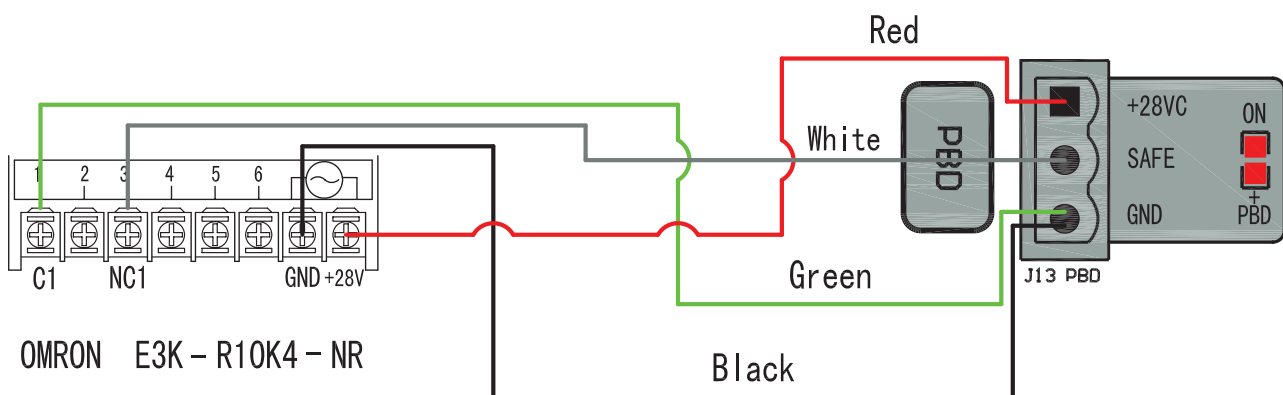


General Safety & UL Connection for Two Sensors



1. Connect +24V from Sensors to +28V at PBD Port
2. Connect GND from Sensors to GND at PBD Port
3. Connect COM from Sensors 1 to GND at PBD Port
4. Connect COM from Sensors 2 to GND at UL Port
5. Connect N.O from Sensors 1 to SAFE at PBD Port
6. Connect N.C from Sensors 2 to UL at UL Port

Safety Connection for OMRON E3K-R10K4-NR Photoeye Sensor



1. Connect Terminal C1 to GND at PBD Port
2. Connect Terminal NC1 to SAFE at PBD Port
3. Connect +28V to +28V at PBD Port
4. Connect GND to GND at PBD Port