

**PA1035 WIRELESS KEYPAD
USER MANUAL**

Rev. A

Platinum Access Systems Inc.

SPECIFICATIONS AND FEATURES

1. Ultra Low Power Consumption

With 0.05 mW idle power, the unit is able to work for over 2 years with internal rechargeable batteries in wireless installation.

2. Key Code Range

Primary / Secondary

5 digit code: 00000-99999

4 digit code: 0000-9999

Memory Capacity: 10,000 (4 digit), 100,000 (5 digit) codes for primary and secondary key entry.

3. RF Remote Control

Working with Platinum RF receiver to provide >50ft remote control.

4. Hold Open Operation

Resettable 5 digit code to turn on/off hold open operation (External DC powered mode only)

5. Request to Exit Input

A contact input for codeless open activation.

6. Adjustable Control Output Strike Duration

Primary: 0-9s output relay and RF control strike duration.

Secondary: 0-9s output strike duration.

7. Control Output

Primary/Secondary NO/NC relay output with 1A @ 30VDC.

8. Multi Power Supply Modes

The unit can be powered by internal rechargeable batteries, solar panel or 12-24V DC power. When powered by solar panel or DC source, the internal batteries work as backup power supplies.

INSTALLATION

1. Wireless Installation

This installation requires no external wiring to remotely control

the gate.

- a. Unplug “BAT1” and “BAT2” from the board. Ensure no external DC power is applied to “SOL/DC” port..
- b. Set “EXIT_EN” jumper to “DIS” position to save battery.
- c. Use “DIGITS” jumper to set “4” or “5” digits code operation.
- d. Turn on the unit by plugging “BAT1” and “BAT2” headers.
- e. Set up PLATINUM RF receiver as per “OPERATIONS” section 4 of this manual.
- f. When the batteries are depleted to low battery level (beep alarm is audible), or the RF remote control turns to be unstable. The batteries are needed to charge. They can be charged from the charge port on the bottom (see Fig 2.) by a 12V - 24V DC source. The potential DC charge sources could be: 12-24V AC/DC adaptor, 12/24V solar panel, 12V car battery, etc.

Note: 1). “EXIT” input enable mode will increase idle current from batteries. Always disable “EXIT” input in wireless installation to save battery life.

2). The charging port is non polarity sensitive port.

3). After the charging LED’s are turned off, wait 2-3 hours for constant current charging before removing the DC power supply.

2. Wired Installation

See Fig.1.

- a. Unplug “BAT1”, “BAT2” and “SOL/DC” header from the board.
- b. Connect NC1/COM1/NO1 to primary gate.
- c. If required, connect NC2/COM2/NO2 to secondary gate.
- d. If required, connect “EXIT” to external strike open switch and

- enable “EXIT” input by setting jumper to “EN” position.
- e. Use “DIGITS” jumper to select “4” or “5” digits code operation.
- f. Turn on the unit by plugging a 12V-24V DC power supply to “SOL/DC” terminal.

Note: 1). “SOL/DC” terminal is non polarity port.
 2). If solar panel is used, connect solar panel to “SOL/DC” terminal.

- g. Re-plug in “BAT1” and “BAT2” headers.

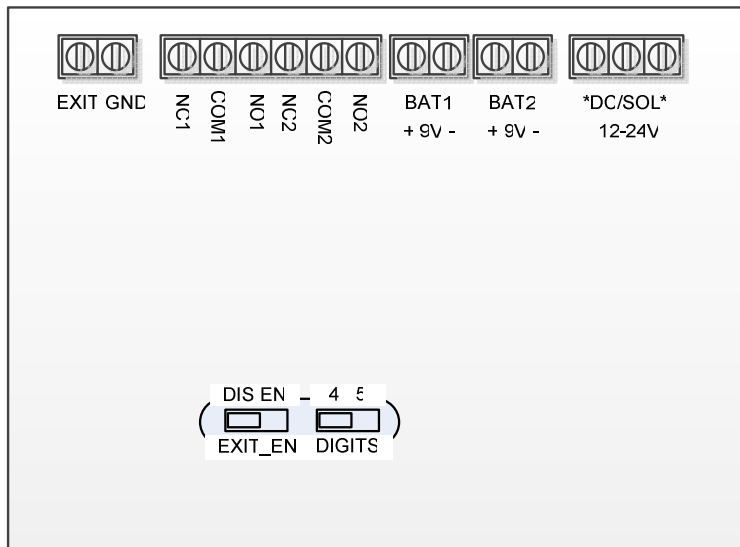


Fig.1 Board Connectors

3. Indicator and Mode Switch Locations

See Fig.2.

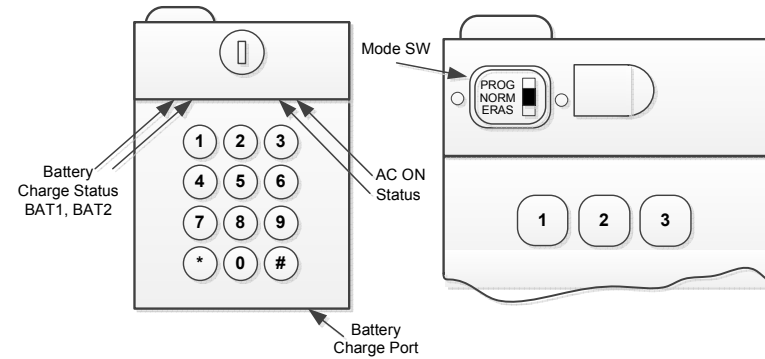


Fig.2 Indicators

OPERATIONS

1. Program Mode

Selected by Mode SW (“PRGM” position), "Green" light flashes.

Program Primary Key Code: Enter 4 or 5 key Code

Program Secondary Key Code: Enter #2 + 4 or 5 key Code

Program Command:

- a. Control output strike duration (default 1s)
 - #4xx xx: 00-09s Primary control
 - #6xx xx: 00-09s Secondary control
- b. Hold open code
 - #3xxxxx xxxxx: 5 digit code (00000-99999)

2. Normal Mode

Selected by Mode SW (“NORM” position).

- a. To open primary gate, enter 4 or 5 key code.
- b. To open secondary gate, enter #2 + 4 or 5 key code.
- c. To hold open, enter #3xxxxx. xxxxx: 5 digit code (00000-99999)
- d. To release hold open, enter #3xxxxx again.

Note: “hold open” operation is only applied to the wired installation with external DC powered.

i. If the programming is unsuccessful, repeat step e to step h.

3. Erase Mode

Selected by Mode SW (“ERAS” position), “Red” light flashes.

Erase Primary Key Code: Enter 4 or 5 key code

Erase Secondary Key Code: Enter #2 + 4 or 5 key code

#911 Erase all primary codes

#913 Erase hold open code

#914 Erase all secondary codes

4. EXIT Input

When enabled, “EXIT” input will activate primary control relay at any time.

5. Program RF Receiver:

Platinum RF receiver needs to be programmed to pair with the unit. The pairing procedures are:

- a. Program at least one key code (Ex. “1234”) on the unit per the steps in section 2.
- b. Set the unit back to “NORM” mode.
- c. Open RF receiver cover and locate the programming button.
- d. Place RF receiver within the unit RF control range and turn on RF receiver power.
- e. Push the programming button in RF receiver.
- f. When the programing LED is on in RF receiver, enter the key code (Ex. “1234”) on keypad.
- g. When the programming is done, the programming LED will go off in receiver.
- h. Enter the key code (Ex. “1234”) again, and check the relay in receiver is activated.