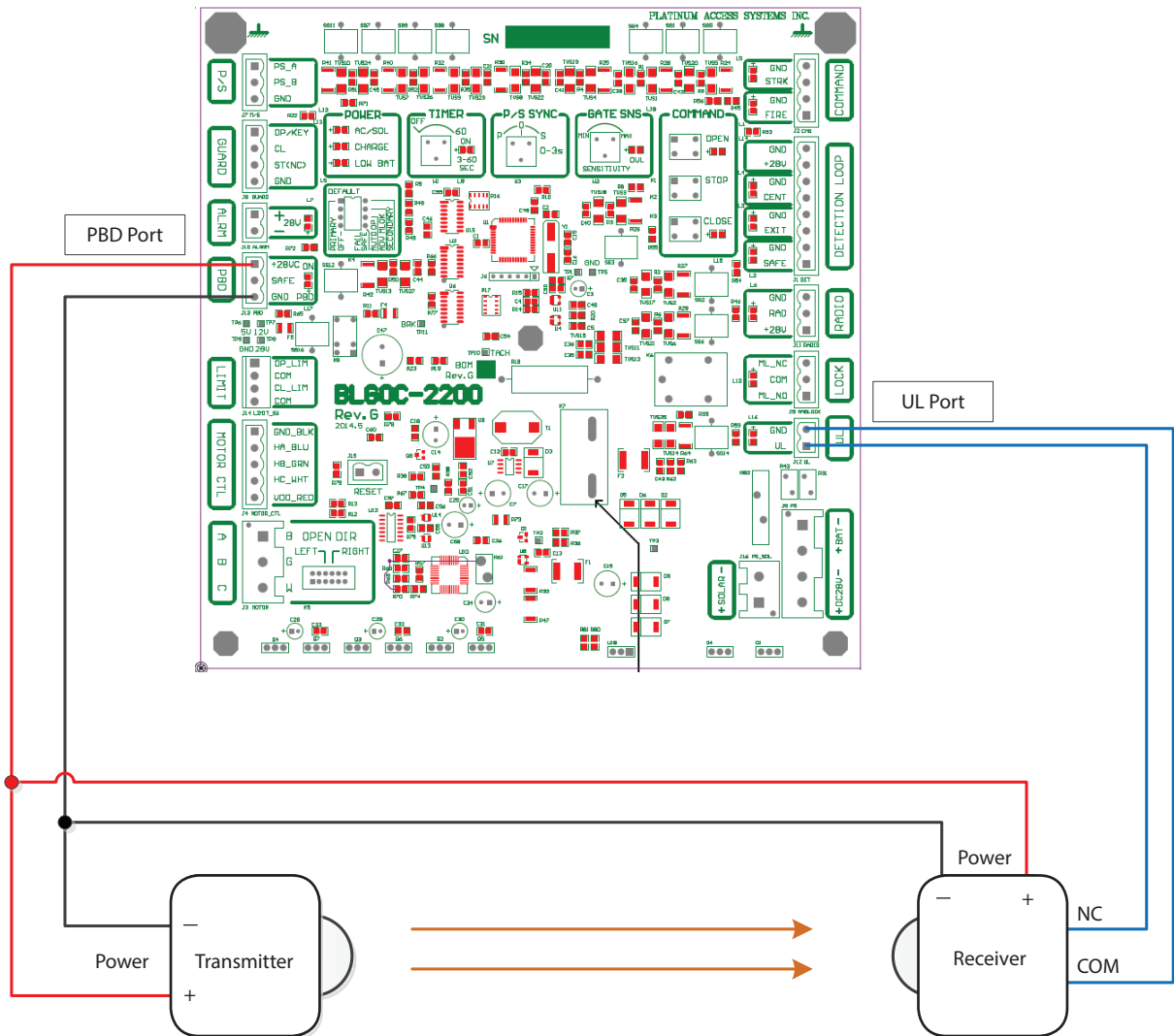


## BLGOC-2000/BLGOC-2200 Board



### Note:

1. This configuration meets UL325-2016 compliance.
2. This configuration applies to Platinum control board BLGOC-2000 and BLGOC-2200 for slider BLSL840, BLSL2250, BLSL3060 and swinger BLSW814, BLSW1016, BLSW2212.
3. In primary/secondary operator installation, this configuration is only applied to primary operator.
4. BLGOC-2000/2200 board software version \_111 or higher is required.
5. Reset the board with this new configuration before running operators.

### Photo Eye Models:

1. The UL325-2016 compliant photo eyes below are recommended to work with this configuration:  
**EMX IRB-325-MON**  
**EMX IRB-325**
2. The UL325-2016 compliant photo eyes below are recommended to work with this configuration:  
**IRB-325-MON**  
 - Relay Operation Mode  
 - Dark On  
 - Normally Close (NC) Output (see the photo eye manual for the DIP SW settings)  
**IRB-325**  
 - Normally Close (NC) Output